



3/4" Motor Protector T TYPE

- The T motor protector is designed to protect single phase induction motors against overload and locked rotor conditions up to 65A.
- **AUTOMATIC RESET:** Main application is protection of hermetic compressor for refrigeration. Models with cover are approved for use with flammable refrigerant gases.
- **MANUAL RESET:** Main application is protection of electric motor where automatic reset would be dangerous or otherwise undesirable (Food Mixers, Chain saws, etc.). Trip-free to assure contact break independent of manual action.



GENERAL CHARACTERISTICS

- CONTACT CONFIGURATION: Single pole - Double break - Single throw - N.C.
- CONTACT RATING: Low capacity 40A 115Vac, 30A 230Vac
High capacity 65A 115Vac, 50A 230Vac
Above ratings are locked-rotor inductive currents (LRA)
- MAXIMUM OPERATING TEMPERATURE: 150°C
- OPENING TEMPERATURE: 65°C up to 150°C (±5°C)
-----Minimum differential 25°C nominal (or manual)
- RESET TEMPERATURE 41°C up to 102°C (±9°C)
- FIRST CYCLE TRIP CURRENT (at 25°C in 7.5-14seconds) from 3 to 50A
- ULTIMATE TRIP CURRENT from 0.6 to 25A
- AUXILIARY HEATERS selection of flat or coiled heaters
- DISC Different physical sizes, broad range of material resistivity
- TERMINAL CONFIGURATION: Quick-Connect tab
M3.5 screws
Solder terminal
Cable leads (AWG 14 or AWG 16)
- APPROVALS : UL E-51822
VDE 40011389 (IEC 60730-2-4)
40003846 (IEC 60730-2-2)
CQC 10002047074
IEC 60079-15 (automatic models with cover)

Please consult factory for details of individual approval or particular configuration.



ORDERING INFORMATION

SAMPLE PART. NO. T A 2 S M S A 900 XX

3/4" Protector

**Stationary Contact - Cover -
Round or Eared Base**

A=welded contact and cover	E=A, eared
B=to play contact and cover	F=B, eared
C=welded contact, no cover	G=C, eared
D=to play contact, no cover	H=D, eared

Disc Shape and Size

Different types numbered from 1 to 8

Disc Resistivity and Contact Type

H.C. types from E to T

L.C. types from U to Y

CONTACT CAPACITY

125V	250V
65A	50A
40A	30A

Disc open temperatures (frequently used)

CODE	F	G	H	J	K	L	M	N	P
TEMP.°C	150	145	140	135	130	125	120	115	110

Disc close temperatures (frequently used)

CODE:	F	J	N	S	U	V	A
TEMP.°C	102	92	78	69	61	57	Manual

Terminal and Mounting Data

From 00 to 99 =Many different terminal option are available

Wire Diameter and turns

From 100 to 185 for FLAT

From 400 to 974 for FLAT OR COILED heaters

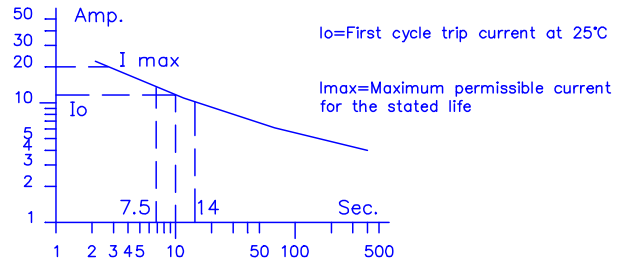
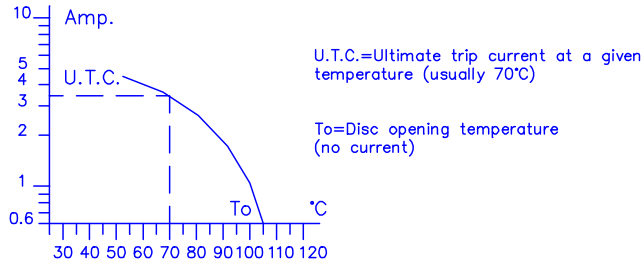
No heater -000

Heaters shape and material

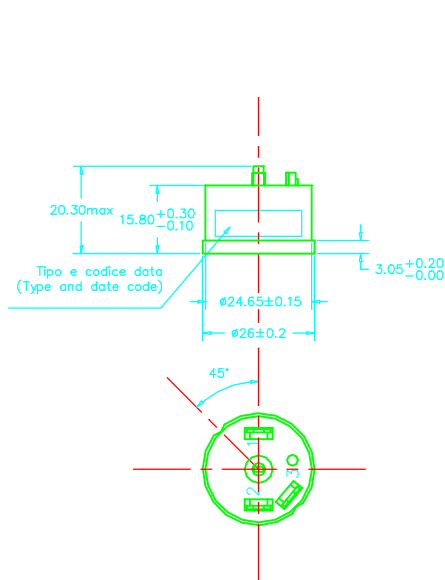
Flat types - Letters from A to F

Coiled types-Letters from G to L

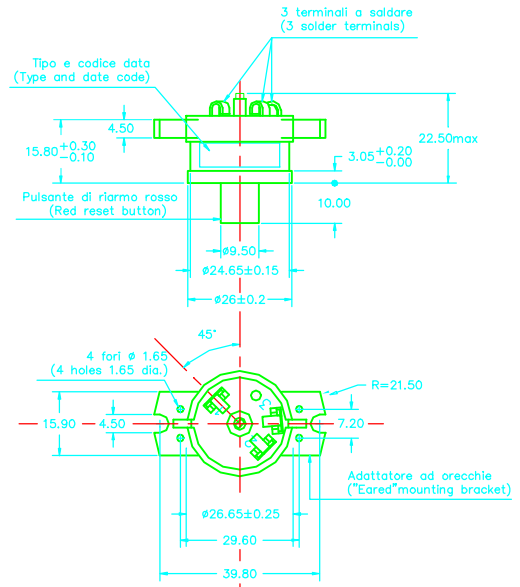
EXAMPLE OF PERFORMANCE CURVES



OUTLINE DRAWINGS



Automatic Reset
 Eared mounting available on request



Manual Reset
 Eared mounting available on request
 Red or green button option

For special applications or mountings not shown in this catalogue, please contact the Factory

Electrica s.r.l. - via privata Della Torre, 24 - 20127 Milano - Italy
 Tel. +39 02 2892641 Fax +39 02 2827511
www.electrica.it info@electrica.it