



SINGLE PHASE MOTOR PROTECTOR 1.25 INCH SIZE , “F” type



- The “F” motor protector is designed to protect single phase induction motor against overload and locked rotor conditions.
- The most frequent application is found in electric pumps and general purpose electric motors.
- Automatic reset versions are popular for applications which can restart safely when they have cooled to an acceptable temperature
- Manual reset versions are available for applications where automatic restarting may be hazardous to equipment or operation

GENERAL CHARACTERISTICS

- CONTACT SPECIFICATION: Single pole - Double break.

Max ratings	Automatic Reset	135A at 125Vac 100A at 250Vac <i>3 000 cycles minimum</i>
	MANUAL Reset	180A at 125Vac 135A at 250Vac <i>500 cycles minimum</i>

Above ratings are locked-rotor inductive currents (LRA)

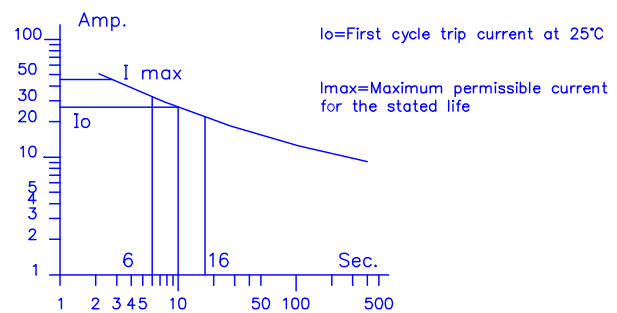
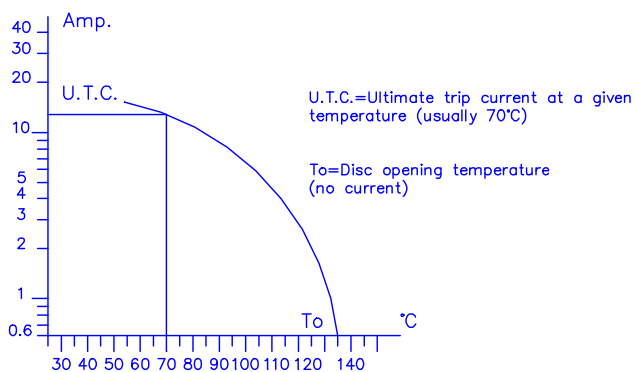
- TEMPERATURE ADJUSTMENT: Automatic reset
Standard open from 105°C to 150°C ± 10°C;
Standard close from 52°C to 102°C ± 11°C
Manual reset
Open from 105° C to 150°C ±10°C;
Manual Reset after 3s from trip;
- TERMINAL CONFIGURATION: Weld terminal
Solder terminal
- APPROVALS : C UL 51822



ORDERING INFORMATION

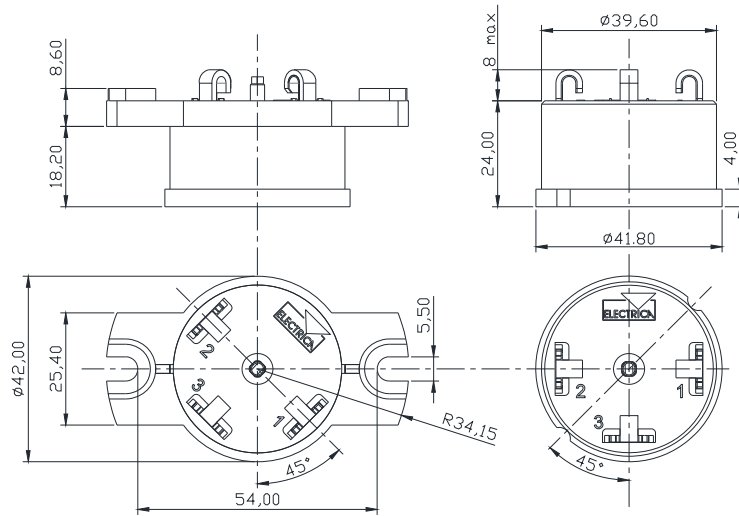
Standard Code	F	2	S	M	A	00	XX		
1 1/4" Protector							Terminals and case shape Contact factory		
Disc Physical Size							Heaters		
1 = Ø 31.75mm, full round							00 : No Heater		
2 = Ø 22.3mm, full							From 01 to 80 : Formed Wire Heaters		
3 = Ø 22.3mm, perforated							From 81 to 99 : Special Heaters		
Disc Material									
C E L M N P R S T U V Y									
Disc open temperatures (frequently used)									
CODE F G H J K L M N P R									
TEMP.°C 150 145 140 135 130 125 120 115 110 105									
Disc close temperatures (frequently used)									
CODE A J K L M N P R S T U V W									
TEMP [°C] max 92 87 84 81 78 75 73 69 65 61 57 52									
Special Code	F	0022	/XX						
1 1/4" Protector							Terminals and case shape Contact factory		
Serial number									

EXAMPLE OF PERFORMANCE CURVES



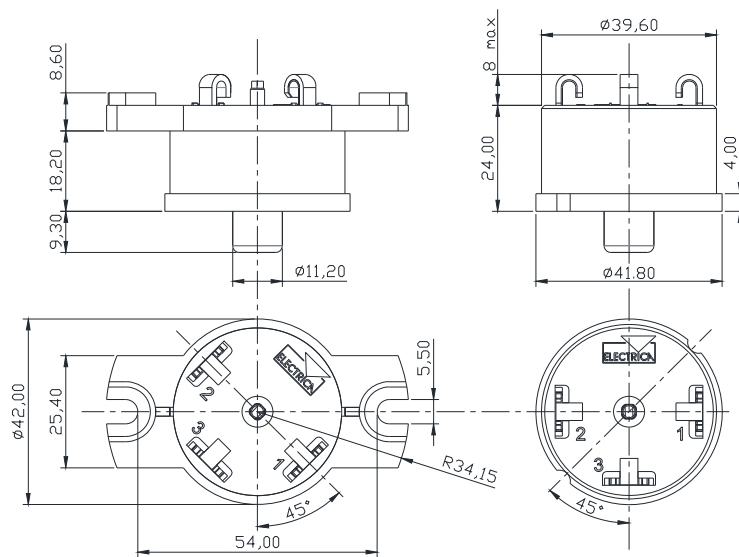
OUTLINE DRAWINGS

Automatic reset
Eared base



Automatic reset
Round base

MANUAL reset
Eared base



MANUAL reset
Round base

All the measures are in mm

For special applications or mountings not shown in this catalogue, please contact the Factory

Electrica s.r.l. - via privata Della Torre, 24 - 20127 Milano - Italy
 Tel. +39 02 2892641 Fax +39 02 2827511
www.electrica.it info@electrica.it