



MTRP

PLUG-IN MOTOR STARTING RELAY

This current sensitive, normally-open relay is used in low horsepower compressor motor start applications. It is available in thermoplastic material or with the body in phenolic material, more indicated in humid environments or for frequent operations like food mixer applications.



Electrical Characteristics

- Class B coil (130°C)
- P.U. current up to 24.4 amps, 50/60 Hz
- Normally-open circuit, single pole, double break, for use on RSIR or CSIR applications.
- For Normal pollution condition (according to EN60730)
- Contact ratings:
MTRP 8A-250VAC, 12A-125VAC
MTRPH 12A-250VAC, 15A-125VAC
- Endurance: 500.000 operations
- Ambient temperature T_{max} = 80°C
- Materials
COVER: Thermoplastic compound (natural colour) PTI 250V-UL94V0
BOBBIN:
 - Thermoplastic compound (natural colour) PTI 250V-UL94V0
 - Thermosetting compound
MTRP (black colour) PTI 175V-UL94V0
MTRPH (white colour) PTI 250V-UL94V0

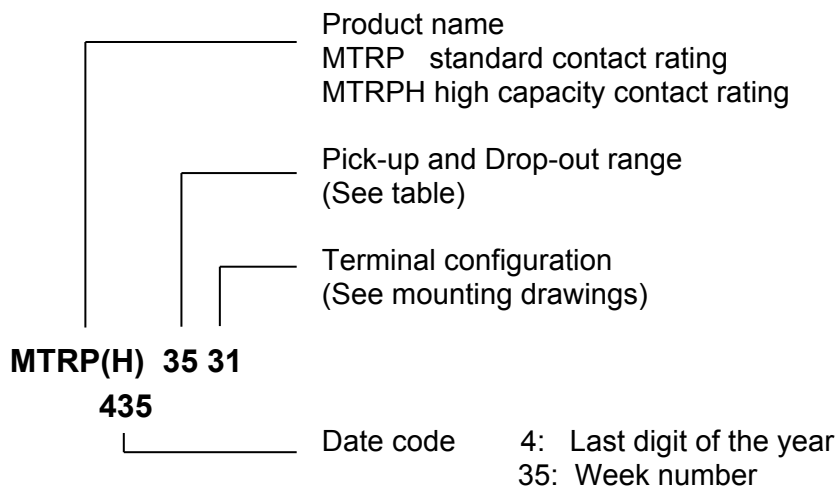
Mechanical Characteristics

- Plug-in mounting directly on "Fusite" Main and Start Ø2.28 mm standard pins.
- 6.3 mm (.250") tabs and screw terminals available.
- Compact size.

Approvals

- ENEC IMQ - CA02.00429
- UL E51436
- CUL E51436
- According to EN60079-15:2010 for use with flammable refrigerant gases

Coding and Marking



Pick-up and Drop-out range

MTRP MTRPH	Max. Pick-up Amp	Min. Drop-out Amp	MTRP MTRPH	Max. Pick-up Amp	Min. Drop-out Amp
20	2,00	1,70	47	7,45	6,30
21	2,10	1,75	48	7,80	6,65
22	2,20	1,85	49	8,20	7,00
23	2,30	1,95	50	8,60	7,35
24	2,40	2,05	51	9,05	7,70
25	2,50	2,10	52	9,50	8,05
26	2,70	2,30	53	10,00	8,45
27	2,80	2,40	54	10,50	8,90
28	2,95	2,50	55	11,00	9,35
29	3,10	2,60	56	11,55	9,80
30	3,25	2,75	57	12,10	10,30
31	3,40	2,90	58	12,70	10,80
32	3,55	3,05	59	13,35	11,35
33	3,75	3,20	60	14,00	11,90
34	3,95	3,35	61	14,70	12,50
35	4,15	3,50	62	17,40	14,80
36	4,35	3,70	63	17,80	14,90
37	4,55	3,90	64	18,20	15,50
38	4,80	4,10	65	18,70	15,60
39	5,05	4,30	66	19,20	16,20
40	5,30	4,50	67	19,90	16,60
41	5,55	4,70	68	20,30	17,25
42	5,80	4,95	69	20,90	17,75
43	6,10	5,20	70	21,90	18,20
44	6,40	5,45	71	23,20	19,40
45	6,75	5,70	72	24,00	19,80
46	7,10	6,00	73	24,40	20,30

For different operating values, contact the Factory.

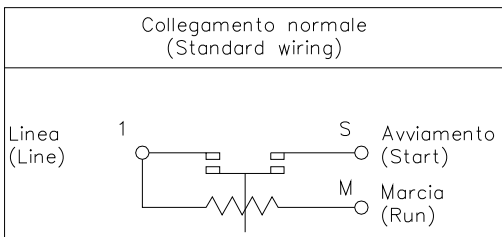
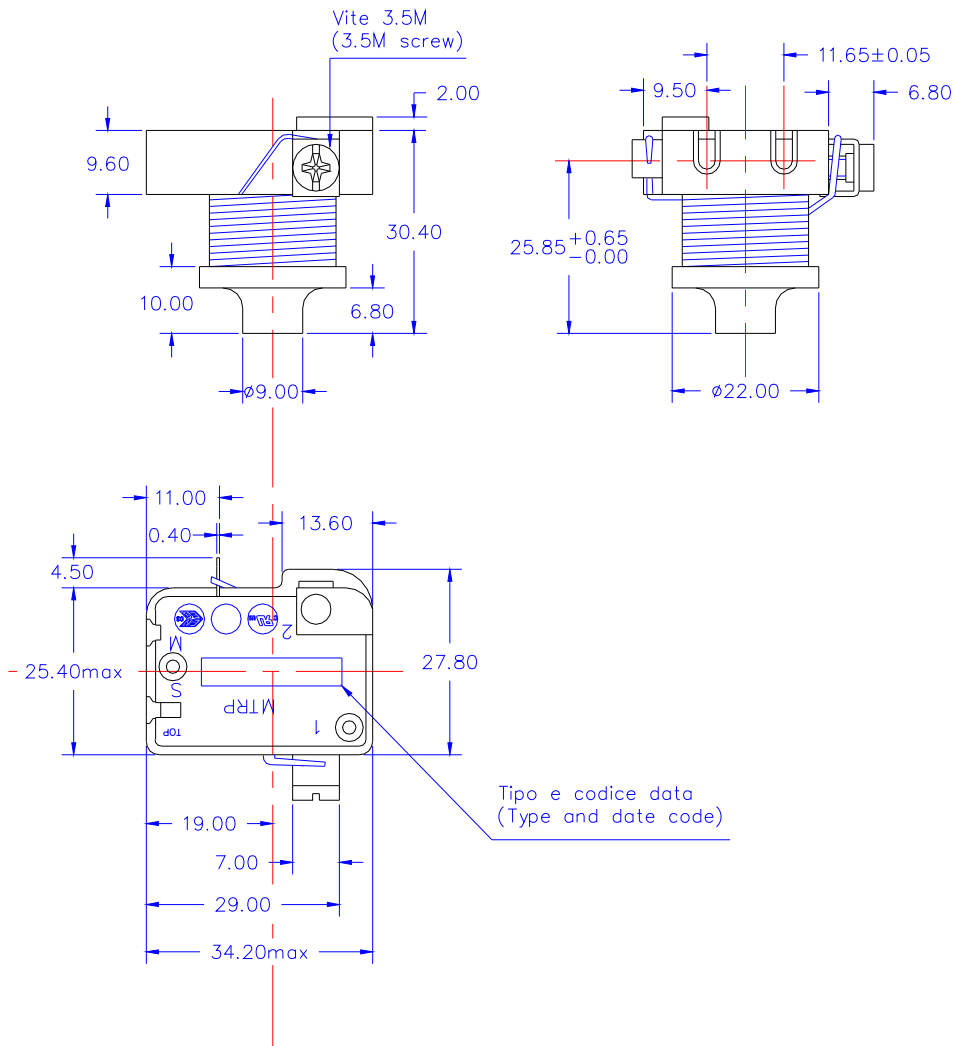
For any different configuration, contact the Factory

Electrica s.r.l. - via privata Della Torre, 24 - 20127 Milano - Italy
 Tel. +39 02 2892641 Fax +39 02 2827511
www.electrica.it info@electrica.it



ELECTRICA s.r.l.
 Via Privato della Torre 24
 20127-Milano-Italia
 Tel: +39 - 022892641
 Fax: +39 - 022827511
 www.electrica.com

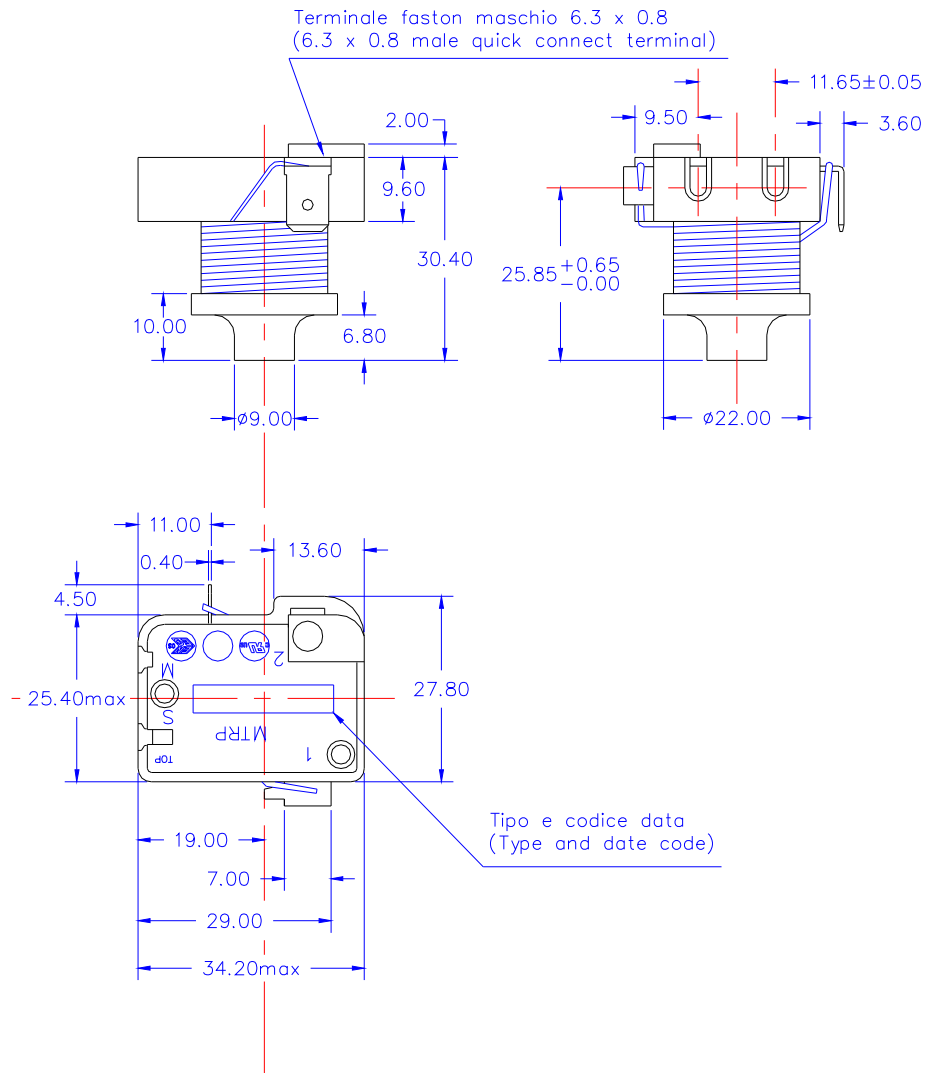
Serie MTRP – rele' d'avviamento
 (MTRP series – starting relay)
 Montaggio (Mounting) 01



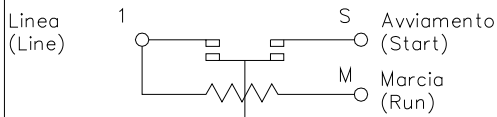


ELECTRICA s.r.l.
Via Privata della Torre 24
20127-Milano-Italia
Tel: +39 - 022892641
Fax: +39 - 022827511
www.electrica.com

Serie MTRP – rele' d'avviamento
(MTRP series – starting relay)
Montaggio (Mounting) 02



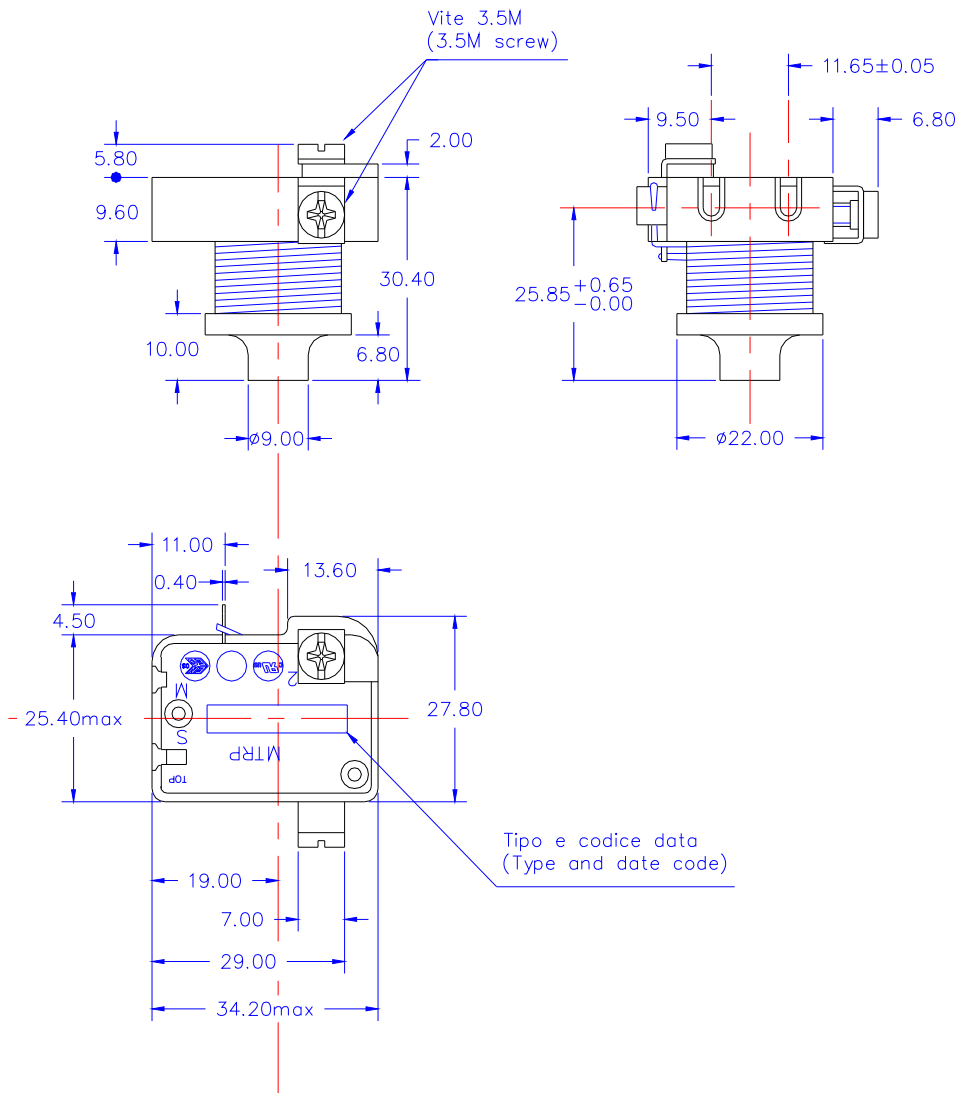
Collegamento normale
(Standard wiring)



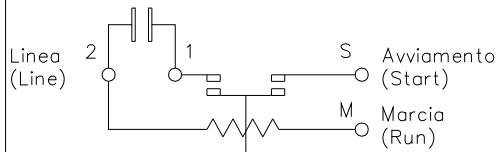


ELECTRICA s.r.l.
Via Privato della Torre 24
20127-Milano-Italia
Tel: +39 - 022892641
Fax: +39 - 022827511
www.electrica.com

Serie MTRP - rele' d'avviamento
(MTRP series - starting relay)
Montaggio (Mounting) 08



Collegamento con condensatore d'avviamento
(Wiring with starting capacitor)

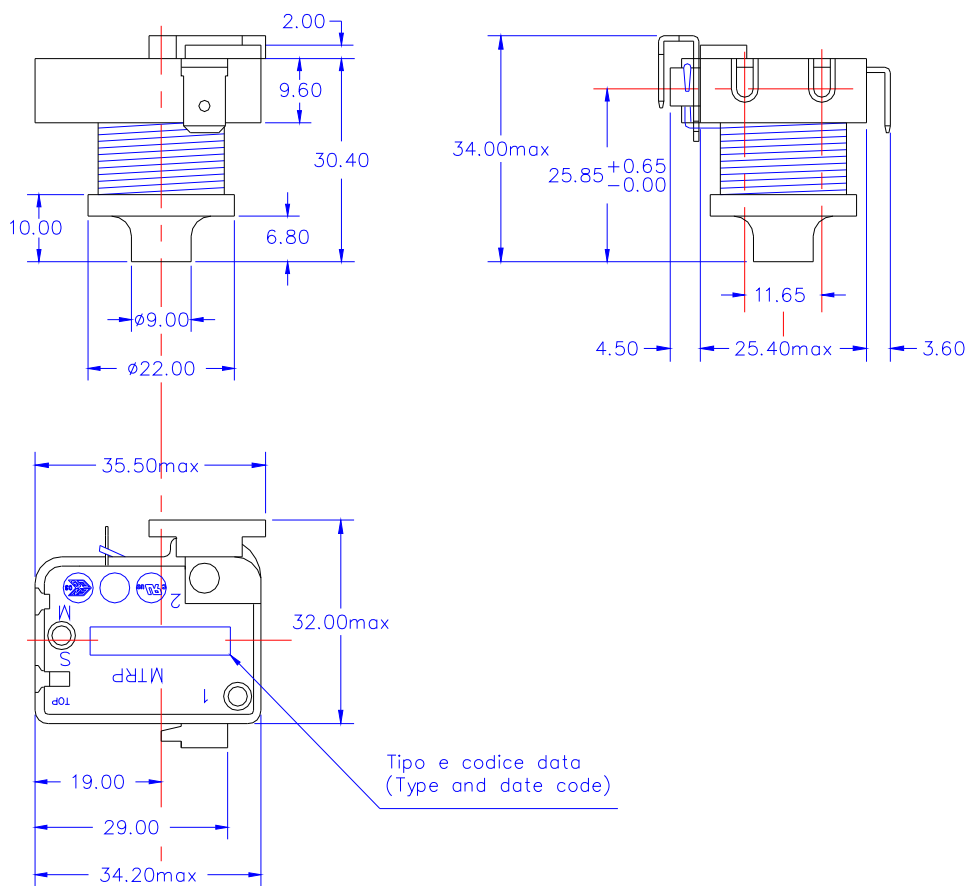




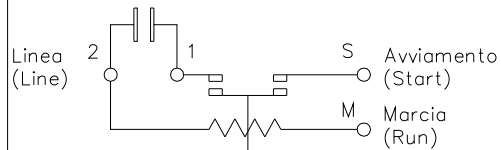
ELECTRICA s.r.l.
Via Privata della Torre 24
20127-Milano-Italia
Tel: +39 - 022892641
Fax: +39 - 022827511
www.electrica.com

Serie MTRP – rele' d'avviamento
(MTRP series – starting relay)

Montaggio 15
(Mounting)



Collegamento con condensatore d'avviamento
(Wiring with starting capacitor)





ELECTRICA s.r.l.
Via Privato della Torre 24
20127-Milano-Italia
Tel: +39 - 022892641
Fax: +39 - 022827511
www.electrica.com

Serie MTRP - rele' d'avviamento
(MTRP series - starting relay)
Montaggio (Mounting) 31

