



ONE INCH MOTOR PROTECTOR G TYPE



- The G motor protector is designed to protect single phase induction motor against overload and locked rotor conditions.
- Motors that can be protected have power in the range from 0.5HP to 5HP, and locked rotor currents in the range from 10A to 100A
- The most frequent application is found in compressors, air conditioning, commercial refrigeration and pumps.

GENERAL CHARACTERISTICS

- CONTACT CONFIGURATION: Single pole - Double break.

• MAX CONTACT RATING:	Low Capacity	Automatic Reset	60A at 125Vac 45A at 250Vac 10 000 cycles (VDE)	
		MANUAL Reset	80A at 125Vac 60A at 250Vac	500 cycles minimum
	High Capacity	Automatic Reset	100A at 125Vac 75A at 250Vac 10 000 cycles (VDE)	80A at 125Vac 60A at 250Vac (UL)
		MANUAL Reset	135A at 125Vac 100A at 250Vac	500 cycles minimum

Above ratings are locked-rotor inductive currents (LRA)

- TEMPERATURE ADJUSTMENT:
 - Automatic reset
Standard open from 105°C to 150°C ± 5°C;
Standard close from 52°C to 102°C ± 9°C
 - Manual reset
Open from 100 °C to 150 °C ±5 °C;
Manual Reset after 3s from trip;
- TRIP-FREE OPERATION: No manual reset is possible under fault condition.
- TERMINAL CONFIGURATION:
 - ¼" quick-connect
 - M3.5 screws
 - Solder terminal
 - Cable leads (AWG 14 or AWG 16)
- APPROVALS :
 - C UL : 51822
 - VDE : 40011470 according to EN 60730-2-4



ORDERING INFORMATION

COMMERCIAL CODE **G A 2 S M A 00 XX**

1" Protector ———— **G**

Contact and cover ———— **A**

	With cover	Without cover
Low capacity contacts	A	C
High capacity contacts	B	D

Disc Physical Size ———— **2**

1 = Ø 25.4mm , full round
 2 = Ø 19.0mm , full
 3 = Ø 19.0mm , perforated

Disc Material ———— **S**

E J L M P R S T U V Y

Disc open temperatures (frequently used) ———— **M**

CODE F G H J K L M N P R
 TEMP:°C 150 145 140 135 130 125 120 115 110 105

Disc close temperatures (frequently used) ———— **A**

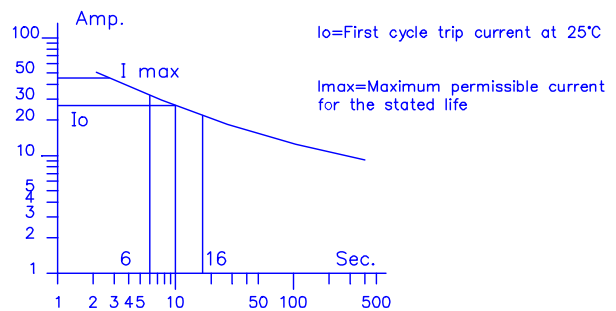
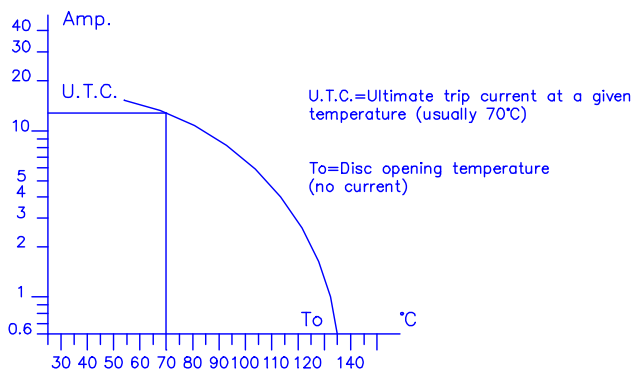
CODE: A J K L M N P R S T U V W
 TEMP [°C] man 92 87 84 81 78 75 73 69 65 61 57 52

Heaters

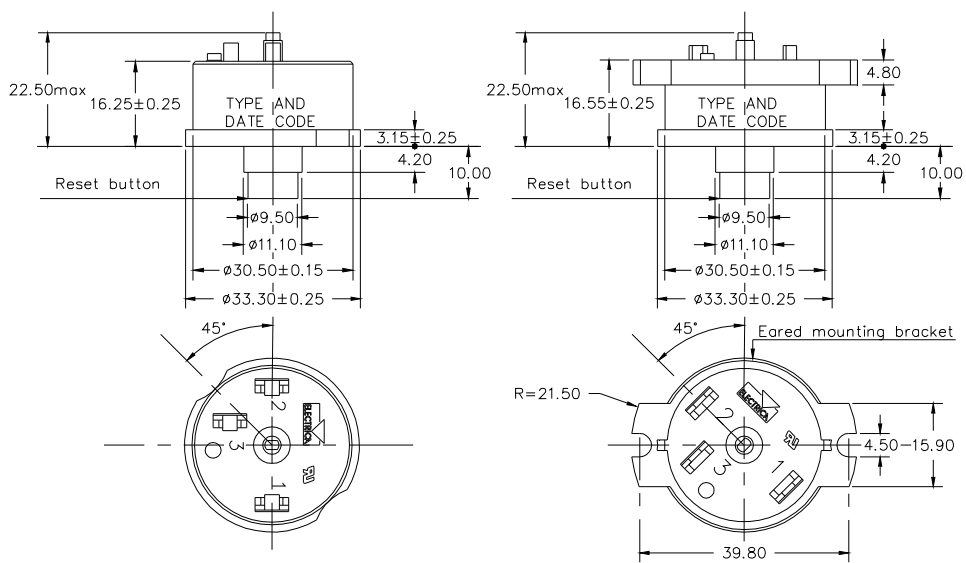
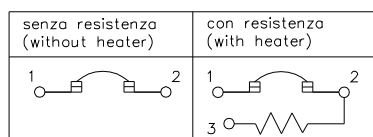
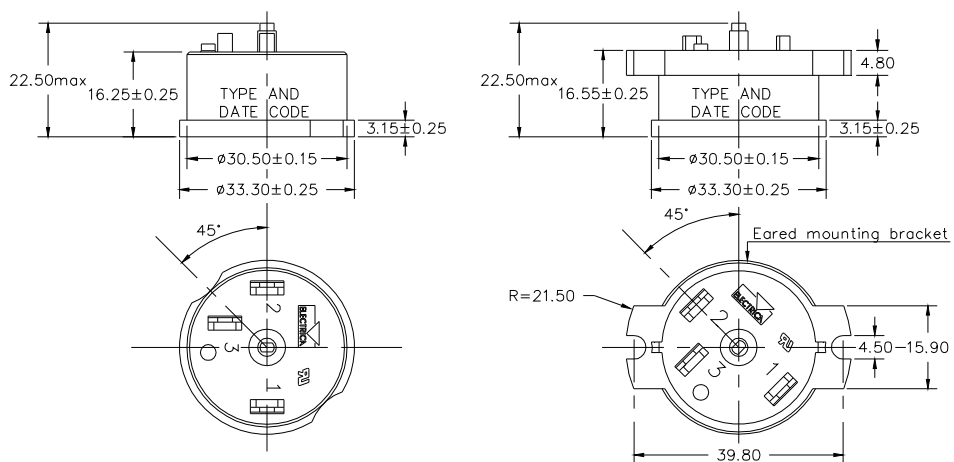
00 : No Heater
 From 01 to 20 : Blanked Heaters
 From 21 to 40 : Short Wire Heaters
 From 41 to 60 : Medium Wire Heaters
 From 61 to 80 : Long Wire Heaters
 From 81 to 99 : Special Heaters

Terminals and case shape
 Contact factory for details

EXAMPLE OF PERFORMANCE CURVES



OUTLINE DRAWINGS



For special applications or mountings not shown in this catalogue, please contact the Factory

Electrica s.r.l. - via privata Della Torre, 24 - 20127 Milano - Italy
 Tel. +39 02 2892641 Fax +39 02 2827511
www.electrica.it info@electrica.it